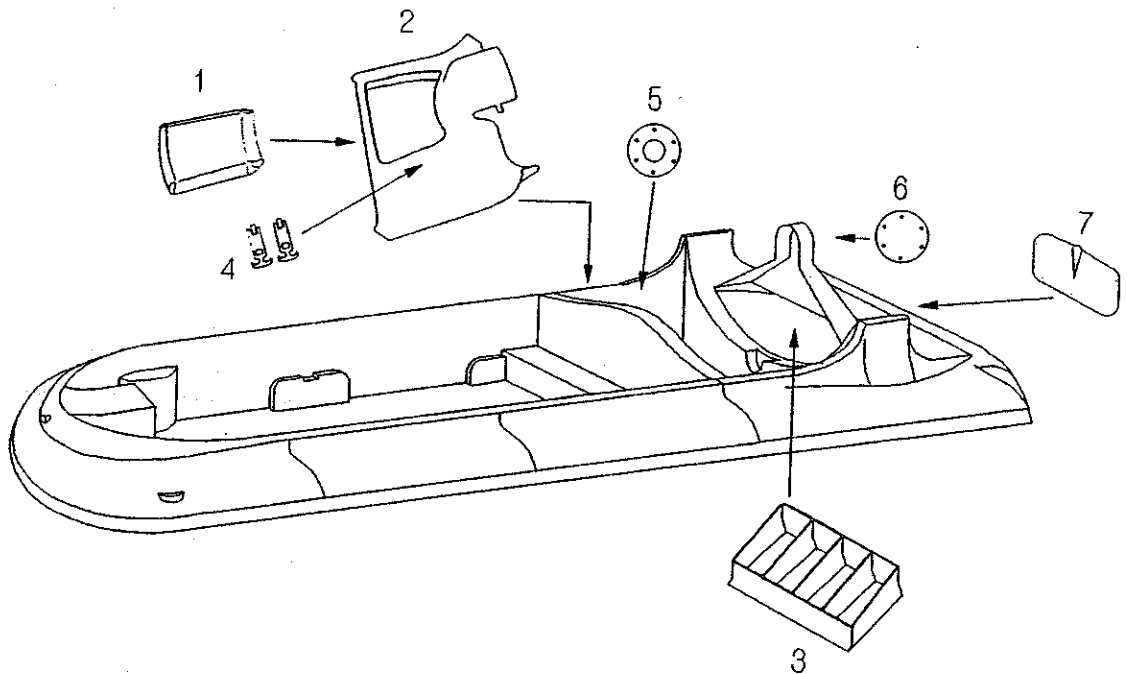


Ref. No.	Part No.	Description	Qty.
	01-100	Complete fiberglass body assembly	1
1	01-101	Upper body (Call factory for proper repair procedure)	1
2	01-102	Lower body (Call factory for proper repair procedure)	1
3	01-103	Right skid / Left skid	2
4	01-104	Middle skid	1
5	01-105	Right skirt trim	1
6	01-106	Front skirt trim	1
7	01-107	Left skirt trim	1

See pricing sheet at the end of this section

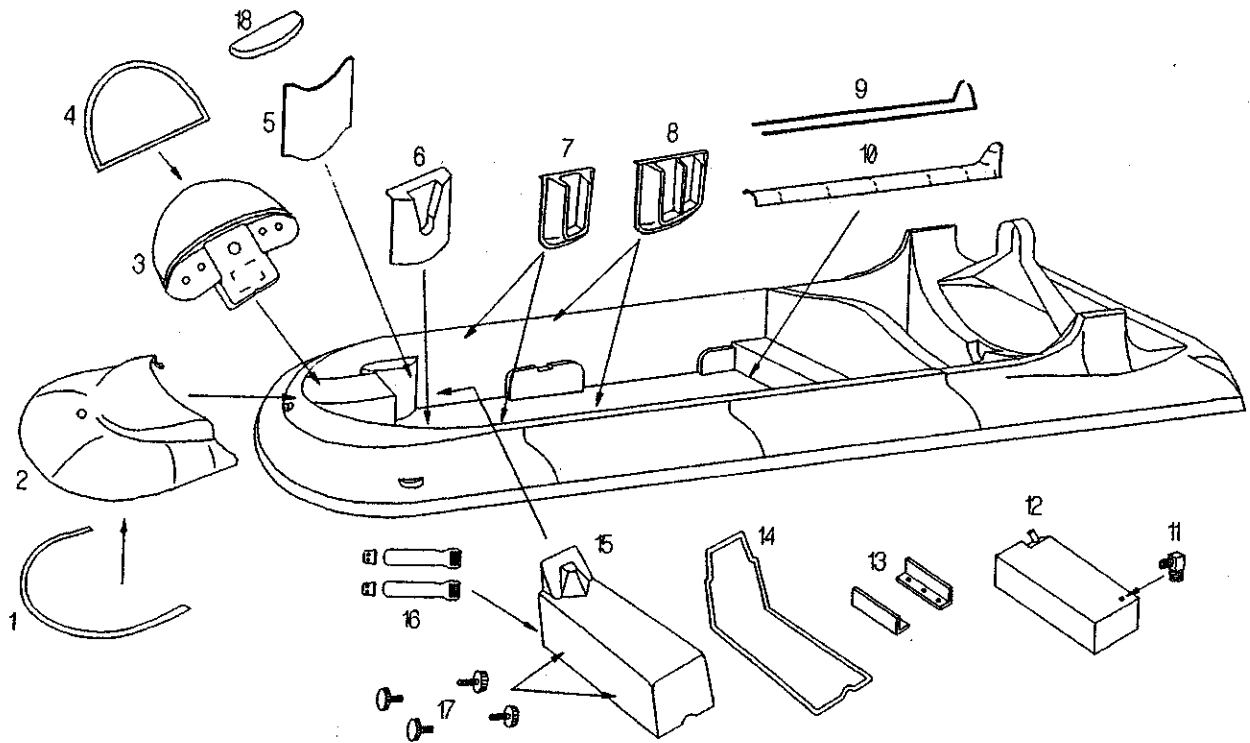


Ref. No.	Part No.	Description	Qty.
1	03-140	Motor cover	1
2	03-141	Engine compartment cover	1
3	03-147	Radiator air deflector	1
4	03-149	Hood latches	2
5	03-173	Exhaust manifold trim plate	1
6	03-174	Hub access disk	1
7	03-175	Rear access cover	1

See pricing sheet at the end of this section
All fiberglass components are produced per request

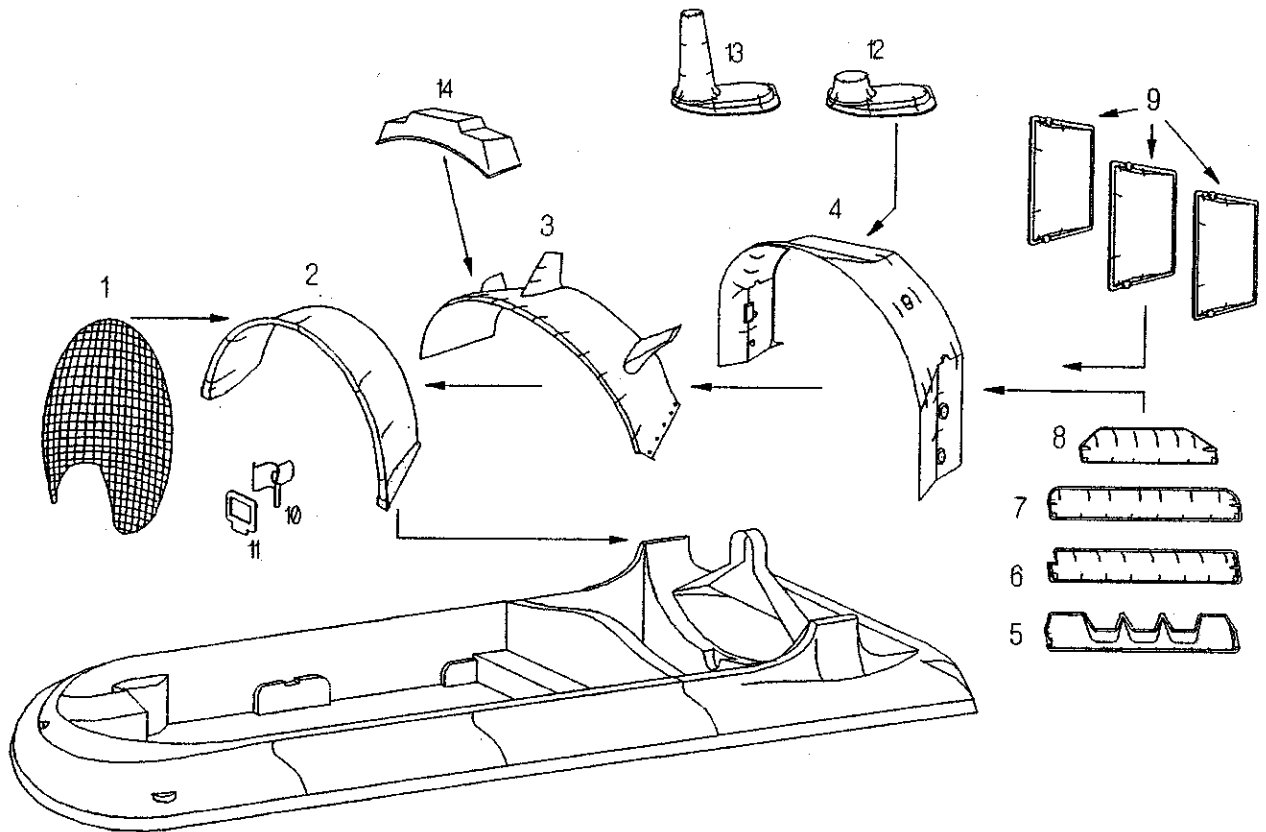
Hovercraft AMERICA

Front Fiberglass



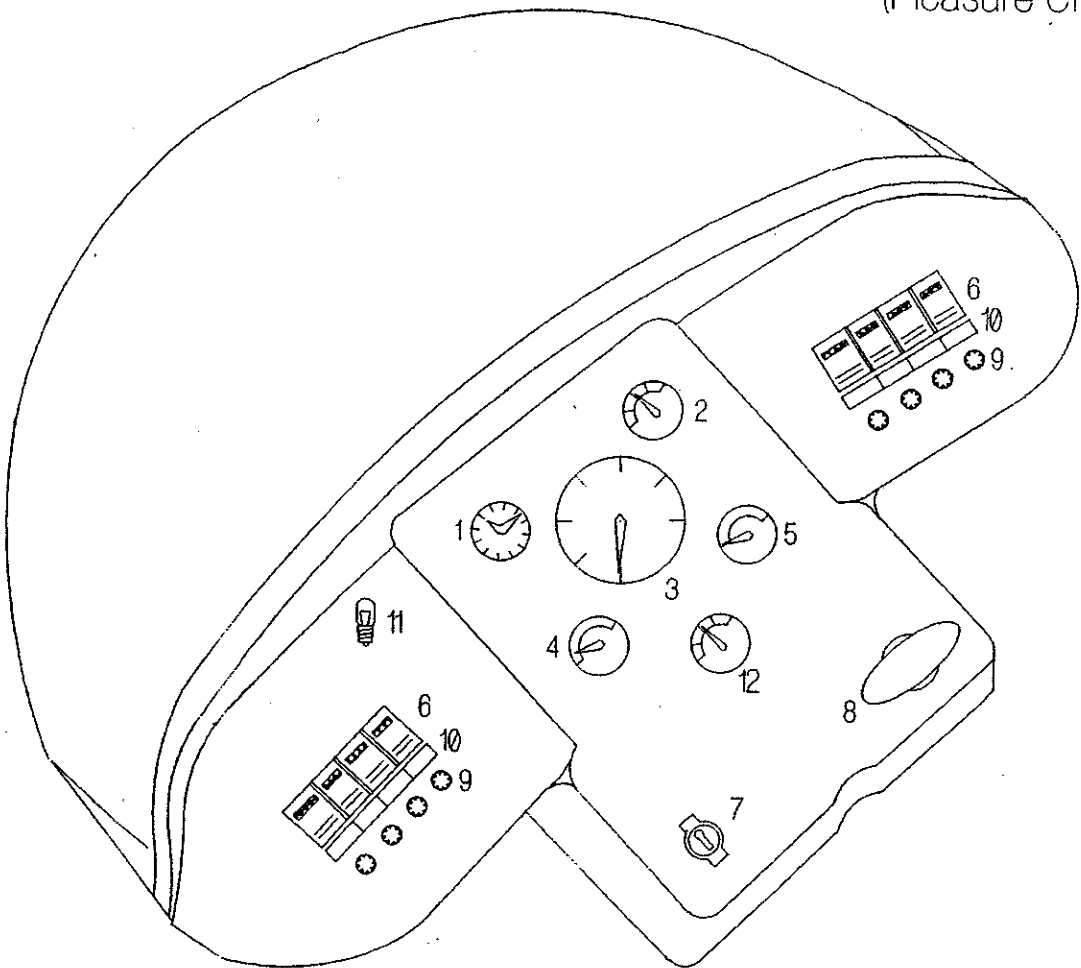
Ref. No.	Part No.	Description	Qty.
1	02-131	Hood seal	1
2	02-121	Front hood	1
3	02-122	Dash pod	1
4	02-132	Dash seal	1
5	02-128	Storage compartment	1
6	02-120	Brake cover	1
7	21-628	Club seat back (optional)	2
8	02-126	Dual seat back	2
9	SP-096	Wiring cover Trim-Loc (2 pcs. 4 ft. each) (set)	1
10	02-127	Wiring cover	1
11	02-137	Fuel line nipple	1
12	02-135	Fuel cell (with brackets)	1
13	02-138	Side tank support brackets	2
14	SP-096	Fuel cell cover Trim-Loc (1 piece 9 ft.)	1
15	02-123	Fuel cell cover	1
16	02-130	Fuel cell cover latches	2
17	02-136	Gas tank hold-down thumbscrews	4
	02-129	Fiberglass edge trim (set) (optional, not shown)	1
18	02-124	Storage lid	1

See pricing sheet at the end of this section
All fiberglass components are produced per request



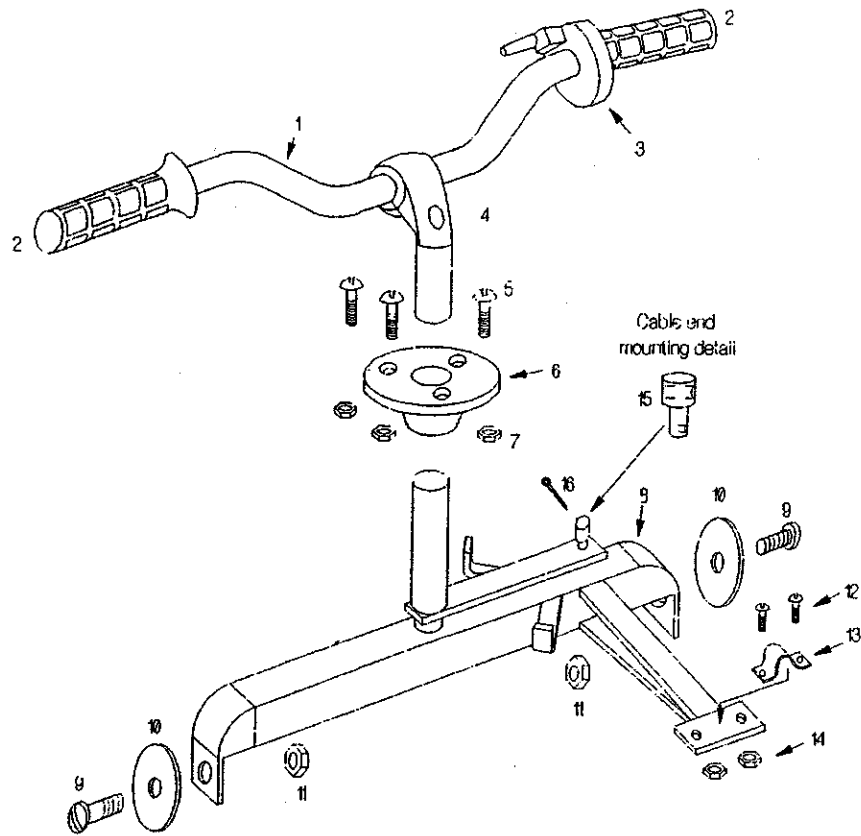
Ref. No.	Part No.	Description	Qty.
1	03A-150	Fan guard	1
2	03A-151	Inner duct	1
3	03A-152	Outer duct	1
4	03A-153	Rudder and shutter mount	1
5	03A-154	Bottom shutter	1
6	03A-155	Bottom middle shutter	1
7	03A-156	Upper middle shutter	1
8	03A-157	Upper shutter	1
9	03A-158	Rudder	3
10	03A-159	Fan guard cradle	10
11	03A-160A	Fan guard cradle clips (bungees)	10
12	03A-162	Stern light mount (rescue)	1
13	03A-161	Stern light mount (pleasure)	1
14	16-482	SVP light mounting panel	1

See pricing sheet at the end of this section



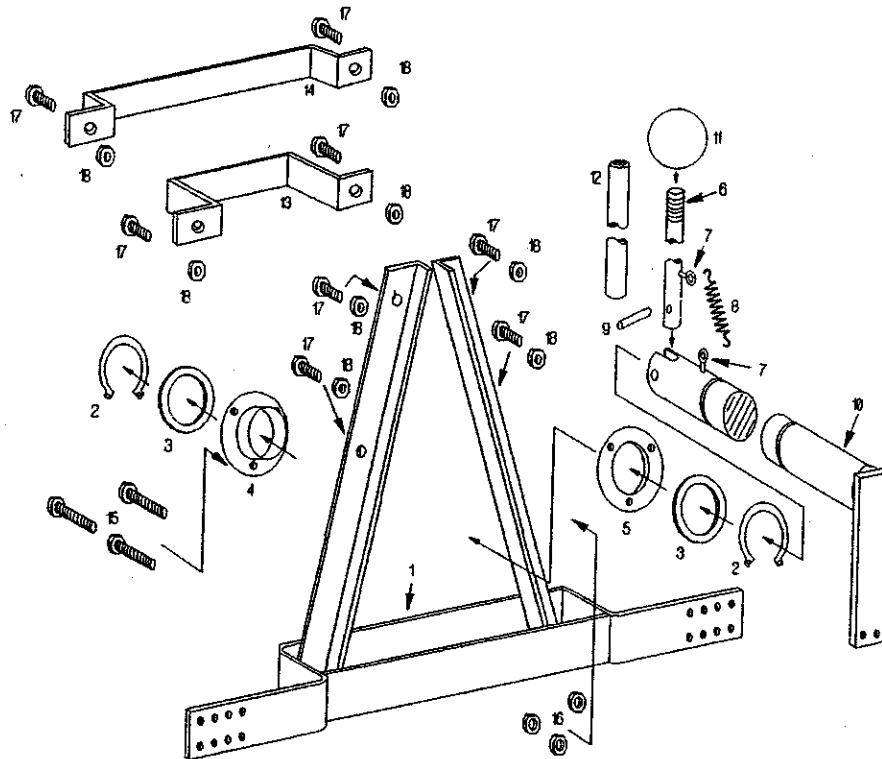
Ref. No.	Part No.	Description	Qty.
1	04-160	Hour meter	1
2	04-161	Voltmeter	1
3	04-162	Tachometer	1
4	04-163	Oil pressure	1
5	04-164	Coolant temperature	1
6	04-165	Dash switch	8
7	04-166	Starter switch	1
8	13-401	Choke cable assembly	1
9	04-168	Fuse holder	8
10	04-169	Switch labels	2
11	04-170	Dash light bulbs	6
12	04-171	Fuel gauge	1

Dash assemblies and gauge locations are subject to change without notice
See pricing sheet at the end of this section



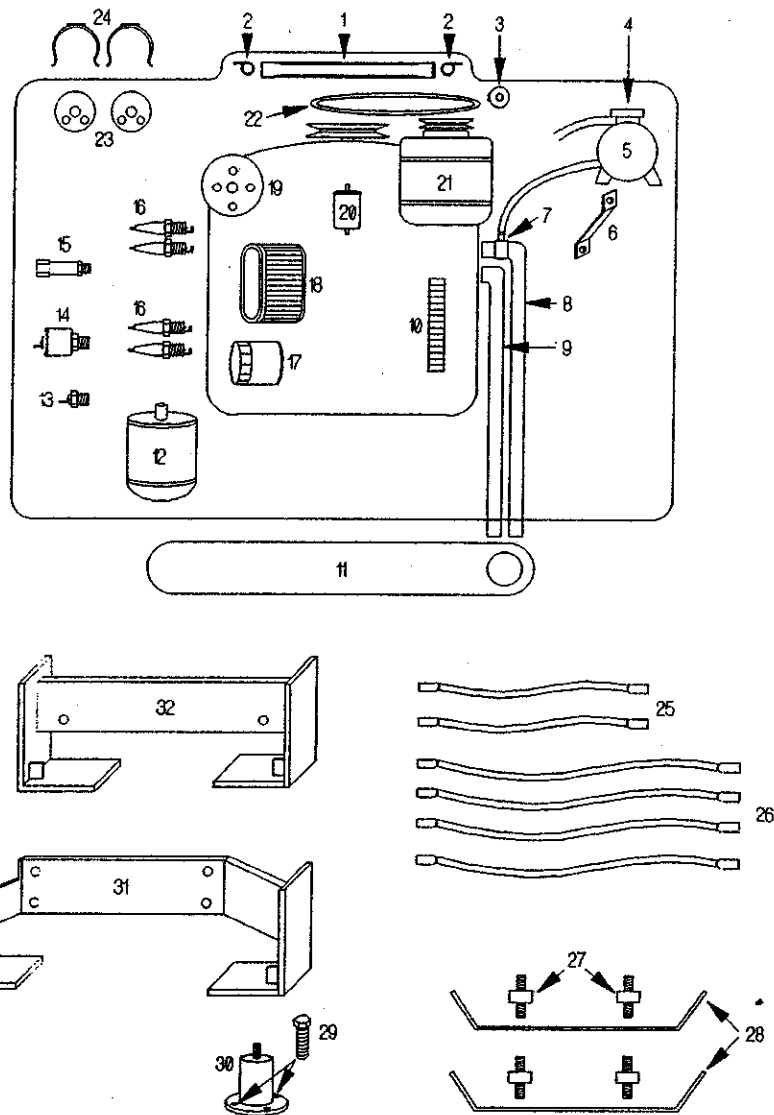
Ref. No.	Part No.	Description	Qty.
1	05-180	Handiebar	1
2	05-181	Throttle grip	2
3	05-182	Throttle	1
4	05-183	Gooseneck	1
5	16-440	4mm x 25mm machine screw	3
6	05-185	Steering bushing	1
7	16-441	4mm nylon locknut	3
3	05-187	Steering assembly	1
9	16-452	8mm x 20mm bolt	2
10	16-451	8mm flat washer	2
11	16-455	8mm nylon locknut	2
12	16-444	5mm x 12mm bolt	2
13	05-192	Cable hold down	1
14	16-443	5mm nylon locknut	2
15	05-194	Cable end mount	1
16	05-195	Cotter pin (small)	1

See pricing sheet at the end of this section.



Ref. No.	Part No.	Description	Qty.
1	06-210	Air brake cable brace	1
2	06-211	Circlip	2
3	06-212	Washer	2
4	06-213	Pivot arm bushing	1
5	06-214	Bushing retainer	1
6	06-215	Pivot arm (1 piece)	1
7	06-216	Pivot eye hook (set 2)	1
8	06-217	Pivot spring	1
9	06-218	Pivot pin	1
10	06-219	Pivot shaft	1
11	06-220	Brake handle knob	1
12	06-221	Pivot shaft cover	1
13	06-222	Shift handle detente	1
14	06-223	Shift handle guide	1
15	16-440	4mm x 25mm machine screw	3
16	16-441	4mm nylon locknut	3
17	16-444	5mm x 12mm machine screw	8
18	16-443	5mm nylon locknut	8
	06-224	Brake handle assembly	1

See pricing sheet at the end of this section



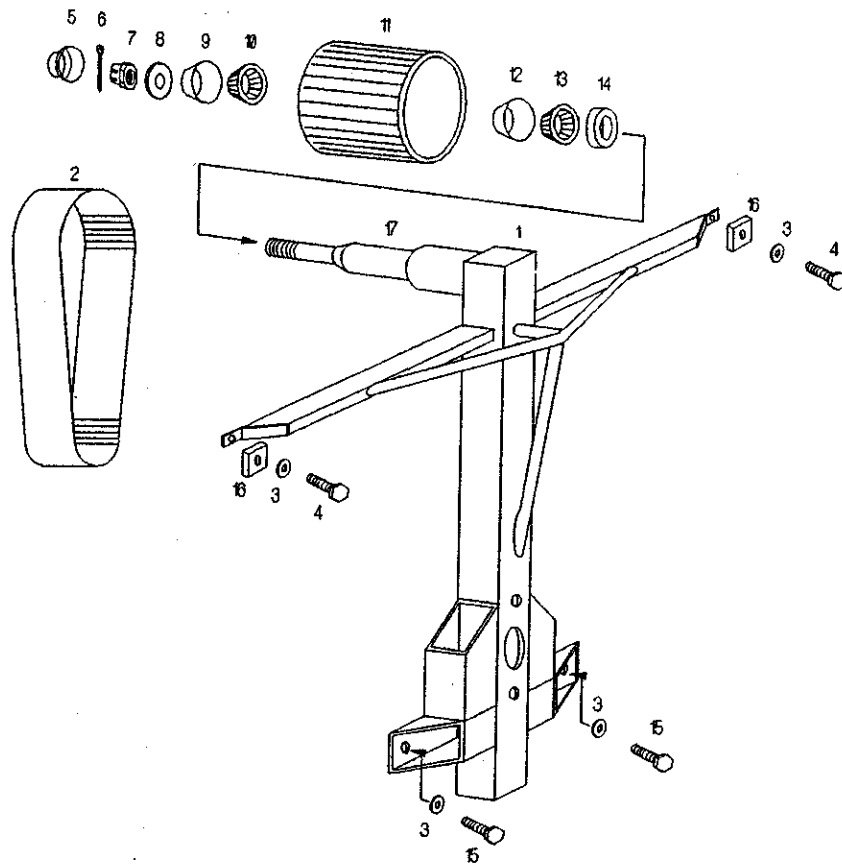
Please see following page for more parts descriptions.
Parts without reference numbers are available, but not shown due to space limitations.

Ref. No.	Part No.	Description	Qty.
	07-258A	Honda engine	1
	07-230	Thermostat	1
	21-674	Super duty air filter wrap (small)	1
	21-674A	Super duty air filter wrap (large)	1
	21-675	Air filter oil (aerosol)	1
	21-676	Air filter recharge kit	1
	21-677	Air filter cleaner	1
	07-233	Throttle lever extension (Rotary engine only)	1

See pricing sheet at the end of this section

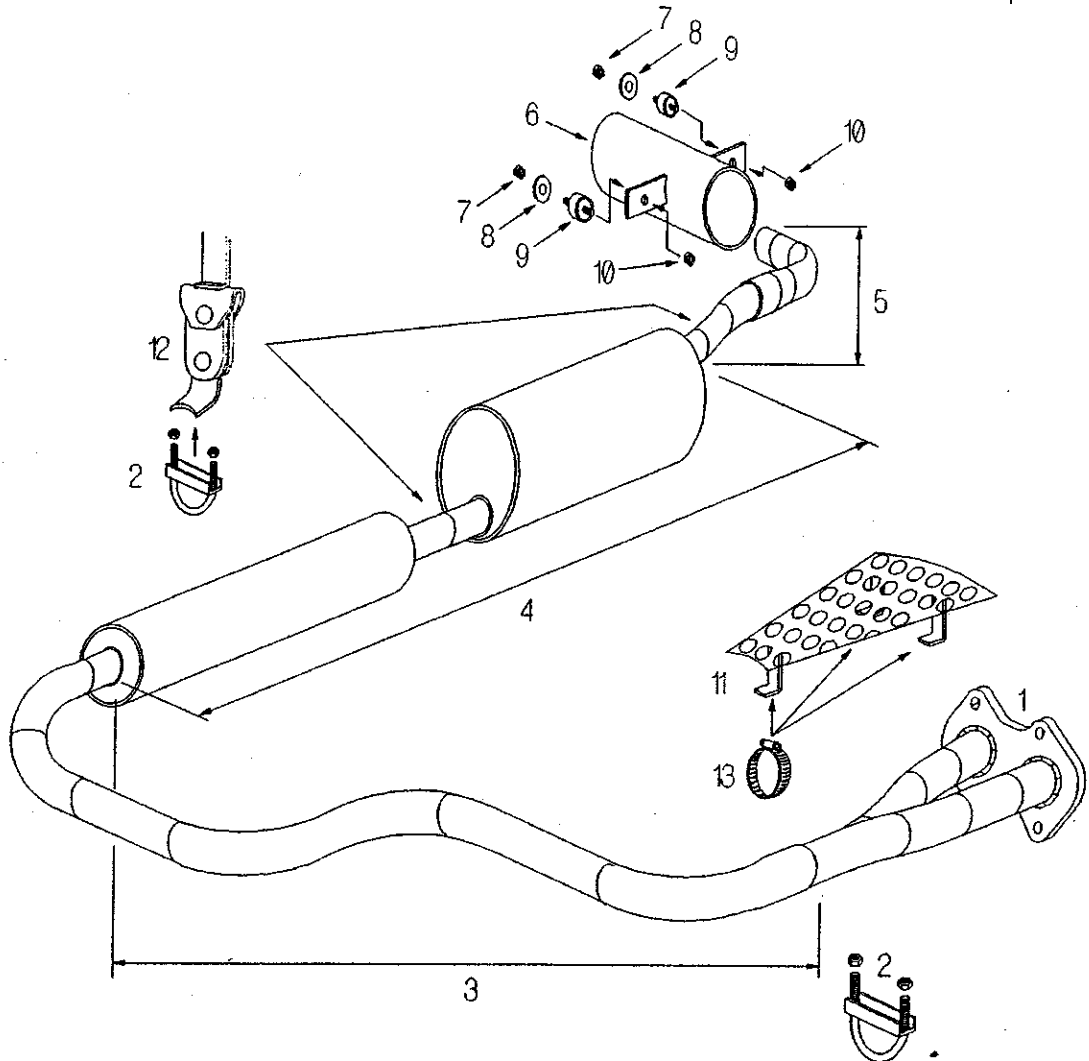
Ref. No.	Part No.	Description	Qty.
1	07-253	Oil cooler	1
2	07-253A	Oil cooler clamps	4
3	07-255	Fuel pump	1
4	07-262	Coolant overflow bottle cap	1
5	07-244	Coolant overflow bottle	1
6	07-245	Coolant overflow bottle bracket	1
7	07-247	Coolant line overflow coupling	1
8	07-241	Upper coolant line	1
9	07-242	Lower coolant line	1
10	07-269	Carburetor preheater hose	1
11	07-243	Radiator	1
12	07-263	Starter <i>1983 MAZDA Rx 7</i>	1
	07-263A	Starter solenoid	1
	07-263B	Starter mount	1
13	07-265	Temperature sender	1
14	07-266	Oil pressure sender	1
15	07-266A	Oil pressure sending unit extension	1
16	07-250	Spark plug	4
17	07-248	Oil filter	1
18	07-249	Air filter	1
19	07-252	Distributor cap and rotor	1
	07-252A	Pick-up coil (not shown)	1
20	07-260	Fuel filter	1
21	07-240	Alternator	1
22	07-254	Water pump / alternator belt	1
23	07-251	Ignition coils	2
24	07-261	Ignition coil bracket	2
25	07-257	Ignition coil wire (set 2)	1
26	07-256	Spark plug wires (set 4)	1
27	08-277	Radiator vibration mount (same for exhaust)	4
28	07-259	Radiator support	2
29	16-456	8mm x 20mm hex head stainless bolt (2 per mount)	8
30	07-264C	Motor mount shock absorber	4
31	07-264A	Front motor mount bracket	1
32	07-264B	Rear motor mount bracket	1
	07-258	Mazda engine	1

See pricing sheet at the end of this section
Please see preceding page for drawing



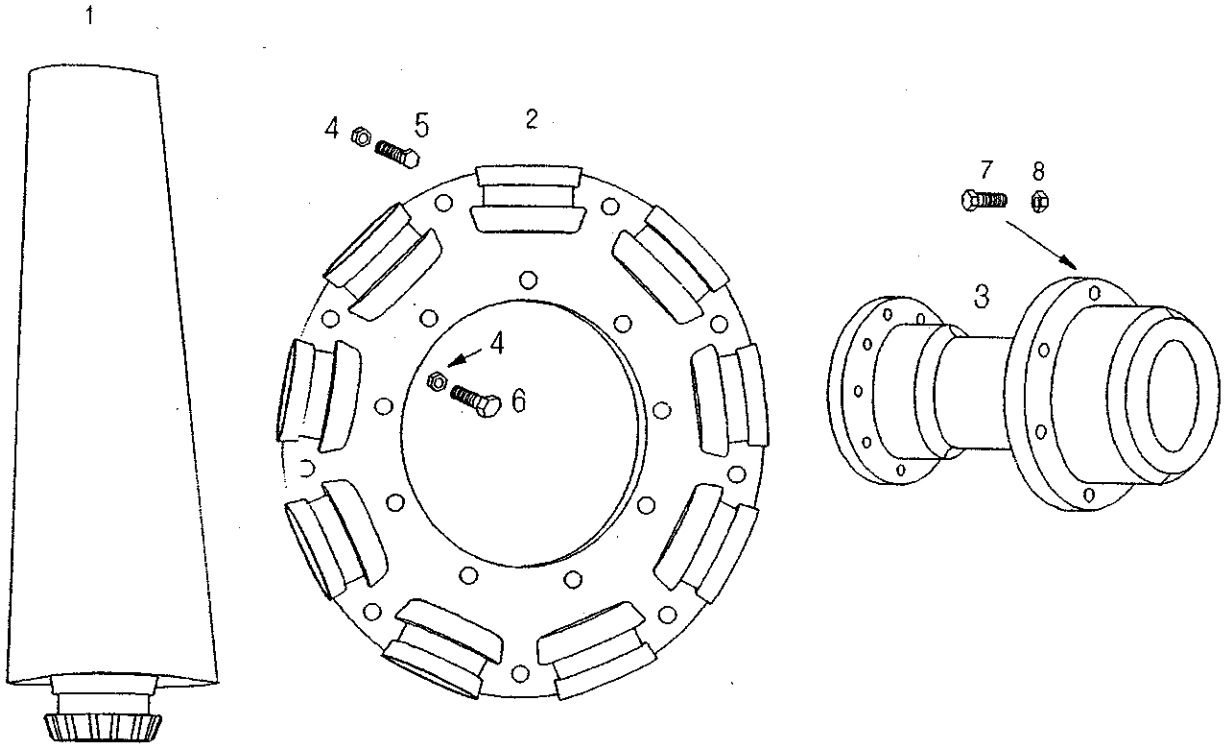
Ref. No.	Part No.	Description	Qty.
1	09-300	Fan cross bar	1
2	09-301	Drive belt	1
3	16-473	7/16" stainless flat washer	2
4	16-453	8mm x 35mm bolt	2
5	09-304	Dust cover	1
6	09-305	Cotter pin	1
7	09-306	Castle nut	1
8	09-307	Bearing washer	1
9	09-308	Outer race	1
10	09-309	Outer bearing	1
11	09-310	Driven pulley	1
12	09-311	Inner race	1
13	09-312	Inner bearing	1
14	09-313	Oil seal	1
15	16-463	10mm x 30mm bolt	2
16	09-314	Aluminum fan crossbar spacer	2
17	09-300C	Upper drive spindle	1

See pricing sheet at the end of this section



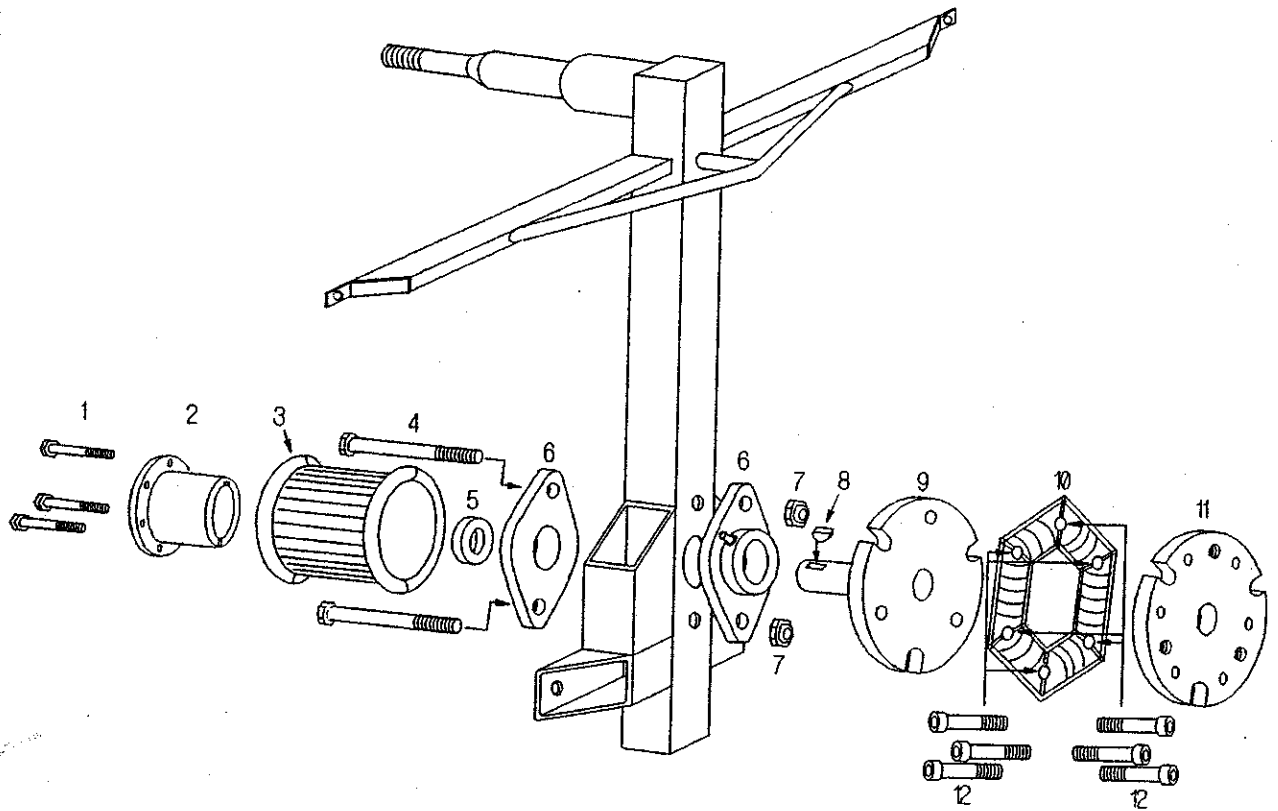
Ref. No.	Part No.	Description	Qty.
1	08-270	Exhaust manifold	1
2	08-271	"U" Clamp (2 inch)	3
3	08-272	Header pipe	1
4	08-273	Muffler assembly	1
5	08-274	Tailpipe assembly	1
6	08-275	Exhaust vibration mount	1
7	16-484	1/4-20 cap nut	2
8	16-484A	1/4-20 flat washer	2
9	08-277	Exhaust vibration isolator (rubber mount)	2
10	16-475	1/4-20 Nylon L/N	2
11	08-279	Manifold heat shield	1
12	08-276	Exhaust hanger	2
13	25-SZ36	Size 36 hose clamp	3

See pricing sheet at the end of this section



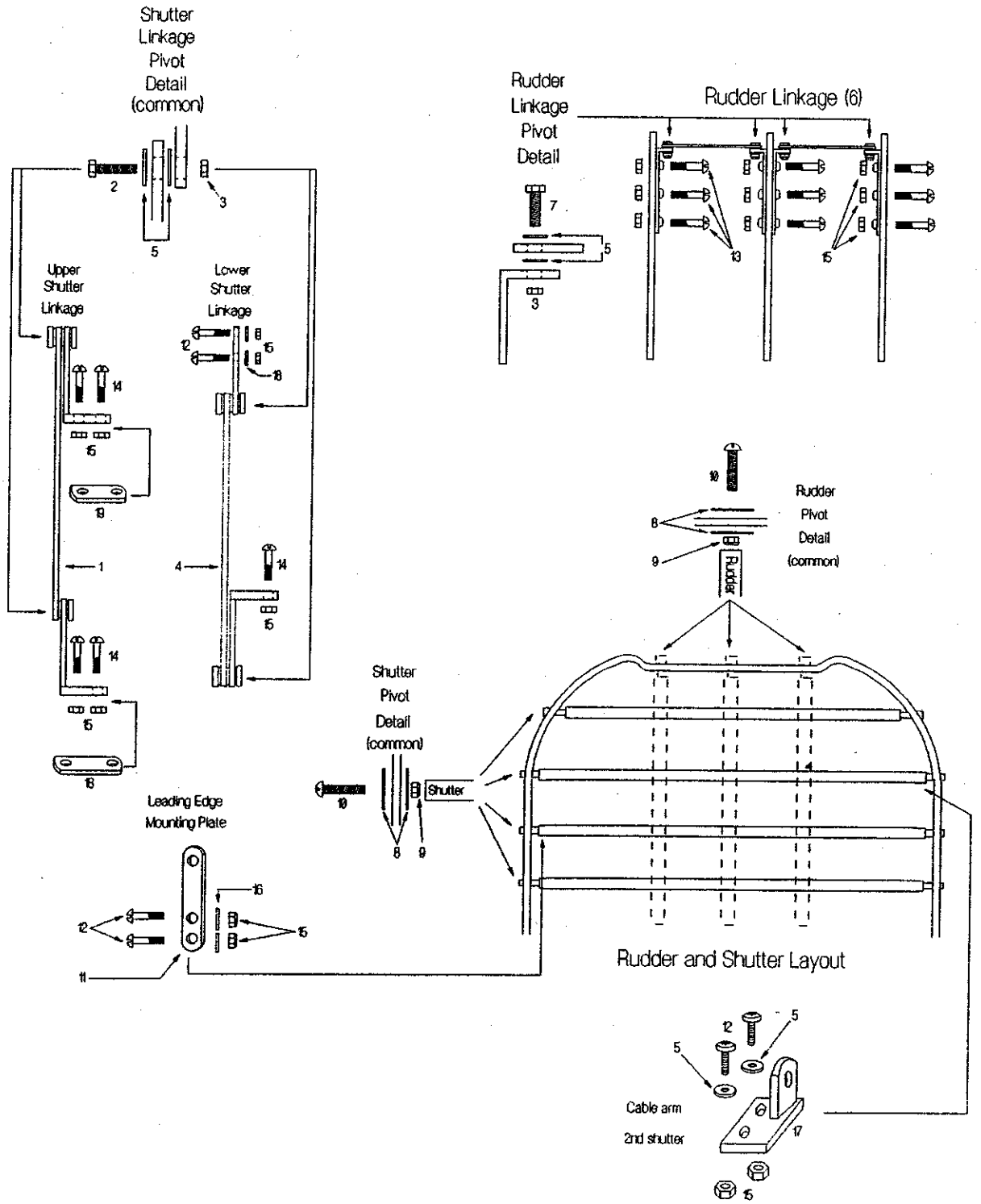
Ref. No.	Part No.	Description	Qty.
	09A-315	Fan assembly	1
	09A-315A	Wooden test fan	
	09A-315B	Counter rotating fan	
	09A-315C	12 blade fan assembly	
1	09A-316	Fan blade	9
2	09A-317	Fan hub (sold as a unit)	2
3	09A-319	Fan hub mount	1
4	16-447	6mm nylon locknut	18
5	16-449	6mm x 20mm bolt	9
6	16-450	6mm x 30mm bolt	9
7	16-459	8mm x 60mm pulley bolt	6
8	16-455	8mm nylon locknut	6

See pricing sheet at the end of this section



Ref. No.	Part No.	Description	Qty.
1	10-320	Taper lock bolts (included with taper lock)	3
2	10-321	Taper lock	1
3	10-322	Drive pulley	1
4	16-471	12mm x 100mm block bearing bolt	2
5	10-324	Brass spacer	1
6	10-325	Block bearing assembly	2
7	16-469	12mm locknut	2
8	10-329	Woodruff key	1
9	10-330	Drive shaft plate	1
10	10-331	RotoFlex boot	1
11	10-332	Flywheel plate	1
12	16-476	RotoFlex bolts (black allen head)	6

See pricing sheet at the end of this section



Please see following page for parts descriptions

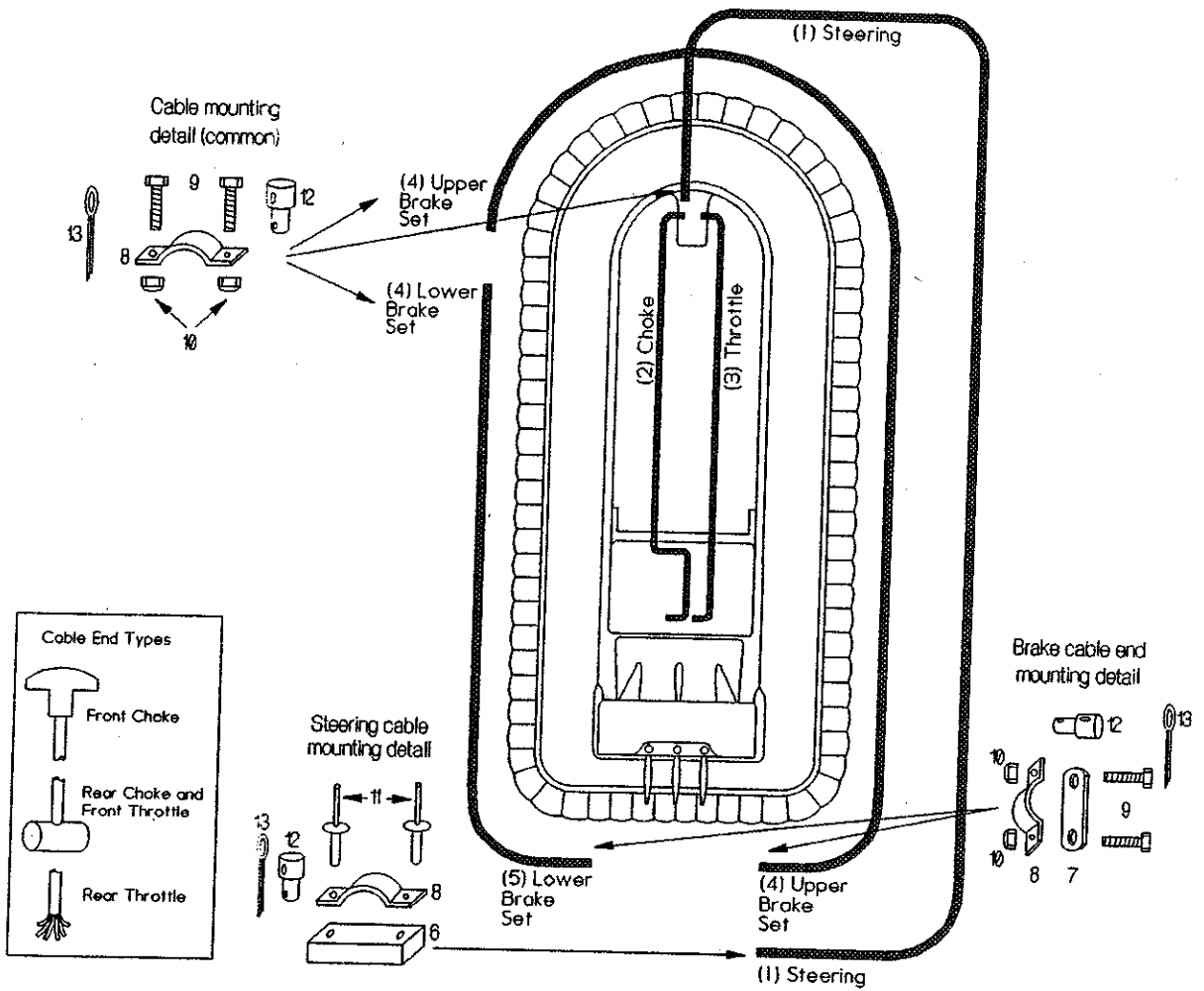
Please see preceding page for drawing

Ref. No.	Part No.	Description	Qty.
1	11-350	Upper shutter linkage assembly	1
2	16-448	6mm machine screw	4
3	16-447	6mm locknut	4
4	11-351	Lower shutter linkage assembly	1
5	16-446	6mm flat washer	22
6	11-352	Rudder linkage assembly	2
7	16-449	6mm hex head bolt	4
8	16-451	8mm flat washer	25
9	16-455	8mm locknut	14
10	16-454	8mm PH machine screw	11
11	11-353	Leading edge mounting plate	1
12	16-444	5mm x 12mm PH machine screw	4
13	16-445	5mm x 16mm machine screw	9
14	16-483	5mm x 20mm machine screw	6
15	16-443	5mm Locknut	21
16	16-442	5mm standard flat washer	5
17	11-354	Cable arm - 2nd shutter	1
18	11-355	Backing plate - 2nd shutter	1
19	11-356	Backing plate - top shutter	1

See pricing sheet at the end of this section

Hovercraft AMERICA

Cables

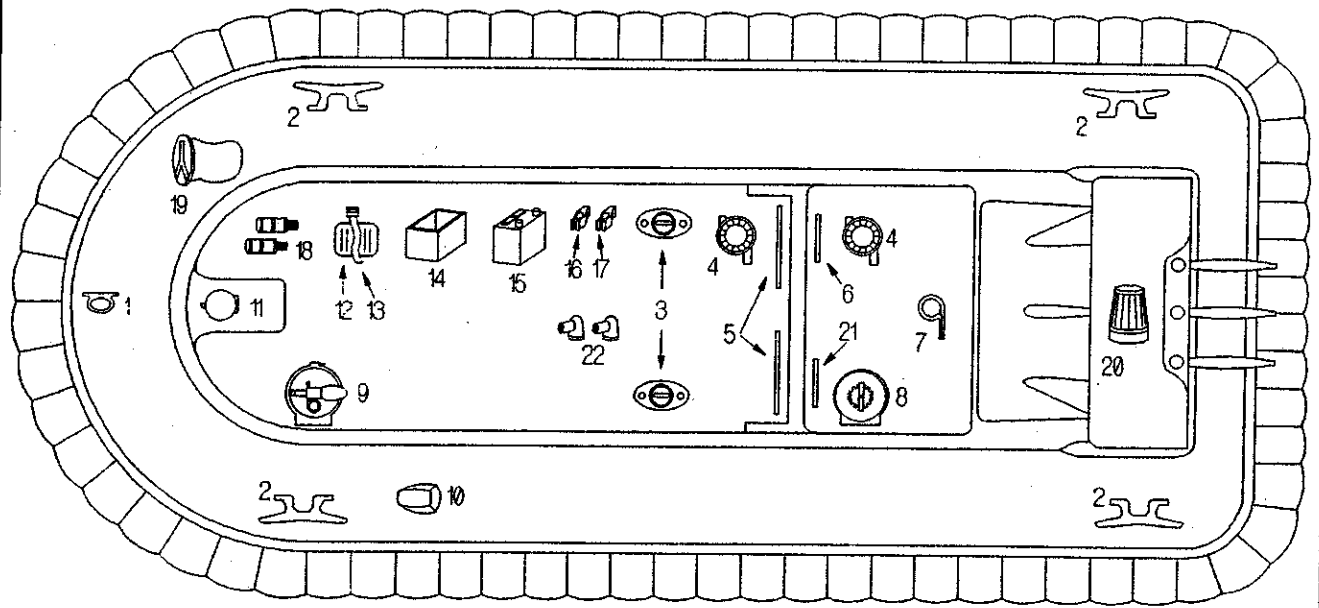


Ref. No.	Part No.	Description	Qty.
1	13-400	Steering	1
2	13-401	Choke	1
3	13-402	Throttle	1
4	13-403	Upper brake set	1
5	13-404	Lower brake set	1
6	13-405	Aluminum spacer	1
7	13-406	Backing plate	1
8	05-192	Cable hold-down	8
9	16-445	5mm x 16 mm machine screw	14
10	16-443	5mm locknut	14
11	16-484	Trailer base rivet	2
12	05-194	Cable end mount	5
13	05-195	Cotter pin (small)	5

See pricing sheet at the end of this section

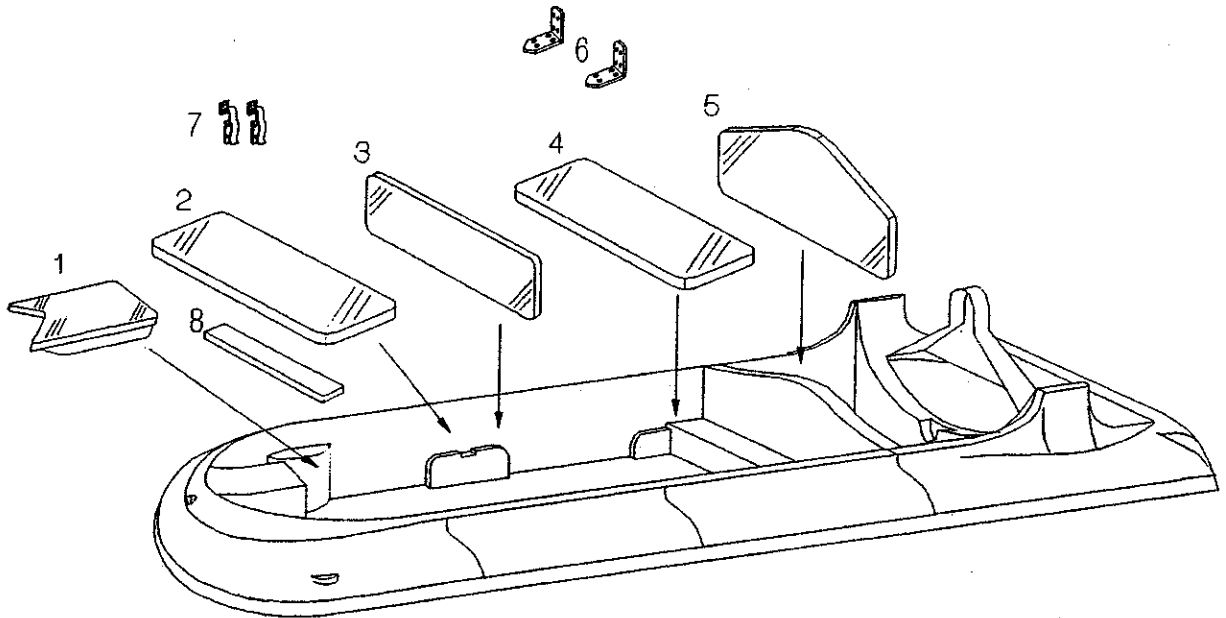
Hovercraft AMERICA

General Hardware



Ref. No.	Part No.	Description	Qty.
1	12-380	Bow eye hook	1
2	12-381	Cleat	4
3	12-382	Drain plug	2
4	12-383	Bilge pump (1 on pleasure craft, 2 on rescue)	2
5	12-387	Engine compartment air intake grids (under seat)	2
6	12-388	Right engine compartment vent grid (in engine compartment)	1
7	12-389	Intake grid retainers (3 per grid)	9
8	12-390	Engine compartment fire extinguisher (Halon optional)	1
9	12-391	Passenger compartment fire extinguisher	1
10	12-392	Fuel tank vent	1
11	12-393	Gas cap	1
12	12-394	Battery cover	1
13	12-394A	Battery cover strap	1
14	12-396	Battery box	1
15	12-397	Battery	1
16	07-268A	Positive battery terminal post	1
17	07-268B	Negative battery terminal post	1
18	12-399	External jumper leads (set)	1
19	12-379	Collapsible storage compartment	1
20	12-378	Yellow strobe light (pleasure craft)	1
21	12-395	Left engine compartment air intake grid	1
22	07-267	Battery cable boot	2

See pricing sheet at the end of this section



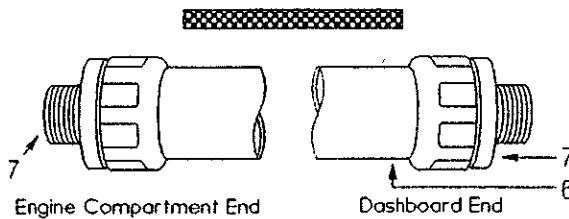
Ref. No.	Part No.	Description	Qty.
1	14-420	Fuel cell seat pad	1
2	14-421	Center seat	1
3	14-422	Center seat back	1
4	14-423	Rear seat	1
5	14-424	Rear seat back	1
	14-425	Male velcro (not shown)	
	14-426	Female velcro (not shown)	
6	14-427	Rear seat hinges	2
7	14-428	Middle seat latch	2
8	14-429	Center seat support	1
	16-498	Lag bolts (center seat support, not shown)	3
	16-473	7/16" flat washer (not shown)	3

See pricing sheet at the end of this section

Hovercraft AMERICA

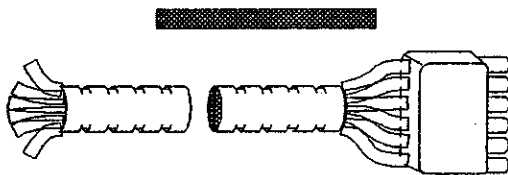
Wiring

(1) Main Wiring Loom

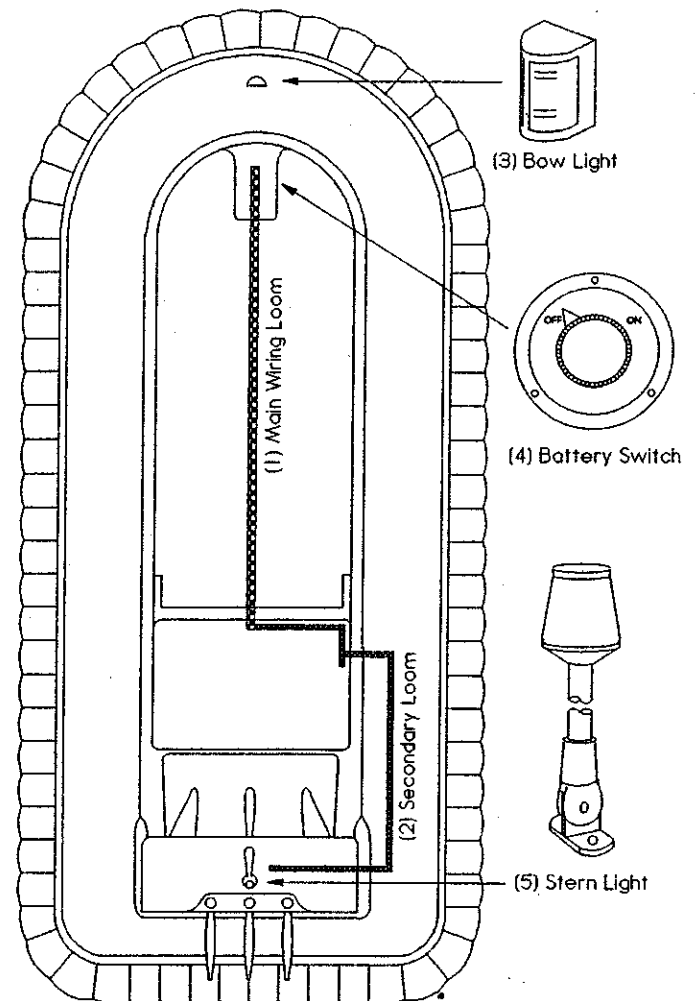


The Main Wiring Loom contains two primary power cables, seven wires for gauges, and ten miscellaneous wires. When servicing electrical systems, replacement connectors and related components must be replaced with factory components. Failure to do so will void any related warranties.

(2) Secondary Wiring Loom



The Secondary Wiring Loom contains six wires. It runs from the starboard engine compartment wall, through the plenum, and up into the air duct. The secondary loom supplies power to the rear navigation lights and accessories.

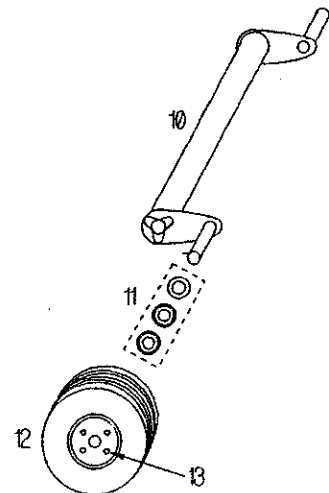
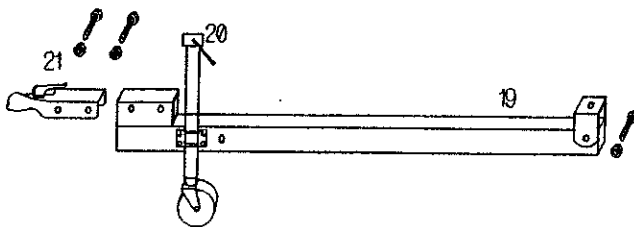
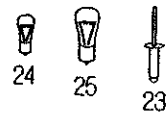
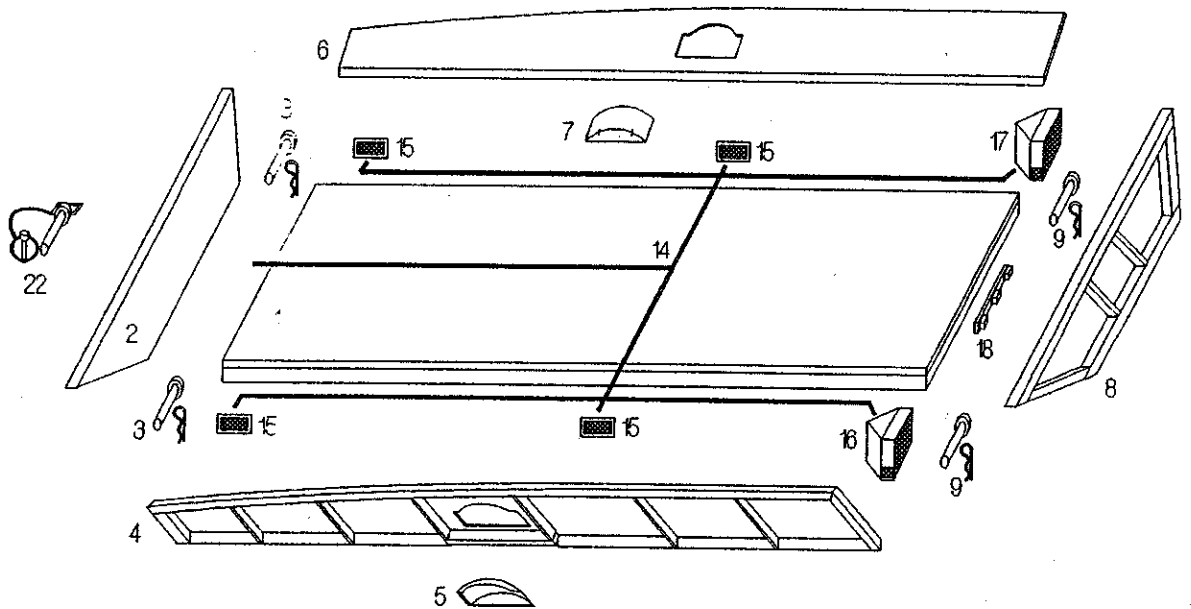


Ref. No.	Part No.	Description	Qty.
1	14-410	Main wiring loom	1
2	14-411	Secondary wiring loom	1
3	14-412	Bow light	1
4	14-413	Battery switch	1
	14-413A	Dual position battery switch (not shown)	1
5	14-414	Stern light (rescue craft)	1
	14-414A	Stern light, short stem (pleasure craft, not shown)	1
	14-418	Kill switch (not shown)	
6	14-416	1" Sealtight conduit	1
	14-417	3/4" Sealtight conduit (not shown)	
7	14-419	1" straight connector	1
	14-419A	3/4" straight connector (not shown)	

See pricing sheet at the end of this section

Hovercraft AMERICA

Fly On - Fly Off Trailer



See following page for descriptions